

AISI316 TURBINE FLOWMETERS FOR BEVERAGE Serie T0370.A

Axial turbine flowmeters for food and beverage.
 Maximum pressure 60bar
 Maximum temperature 65°C
 Available with pulses output or LCD display

Threaded from 1" to 3" G/BSP o NPT
 Body in AISI316
 Turbine in AISI430F with PTFE treatment
 Supports in ceramic; Seger in SS AISI316

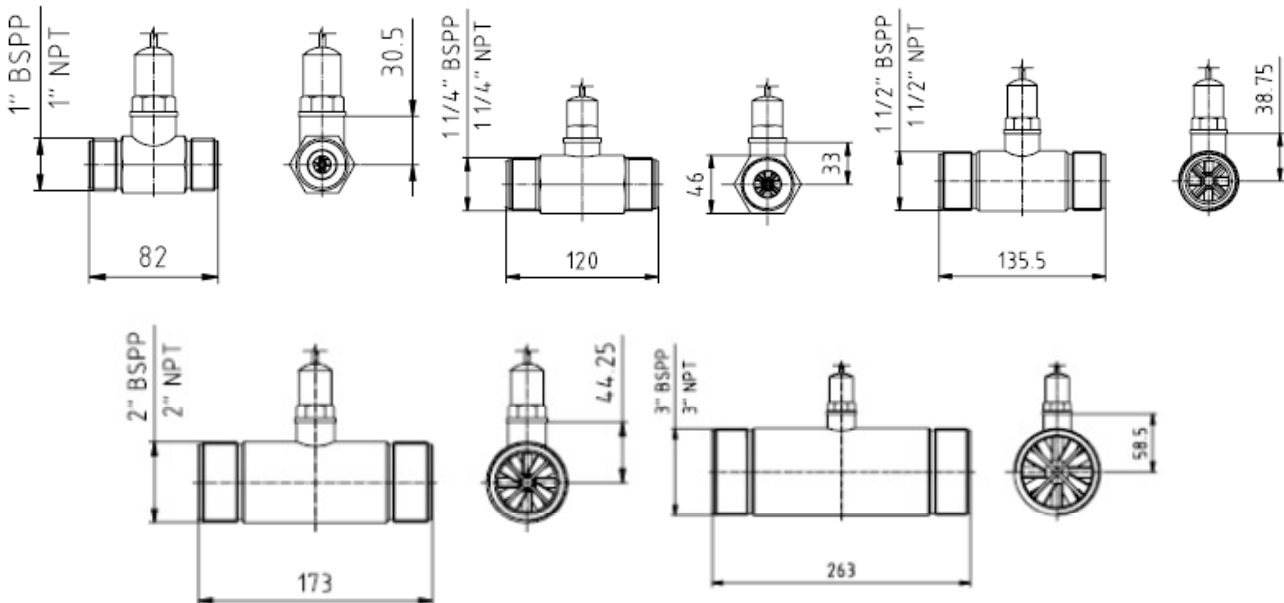


MODELS 1" to 1.1/2"	MODELS 2" to 3"	DISPLAY LCD
---------------------	-----------------	-------------



The programmable multilingual LCD can indicate: cumulative volume delivered (resettable), cumulative volume delivered (not resettable) Flow rate in: litres/gallons per minute, cubic metres per hour. Maximum reading error: ±1%. Backlit display. 9 Volts battery powered. Equipped with luminosity sensor to increase endurance and energy saving.

DIMENSIONS



MODELS	GENERAL FEATURES
T0370320.A	1"BSP male; Range 7...70 l/min; 60 Bar; only body without output
T0370325.A	1.1/4"BSP male; Range 10...100 l/min; 60 Bar; only body without output
T0370335.A	1.1/2"BSP male; Range 35...350 l/min; 60 Bar; only body without output
T0370345.A	2"BSP male; Range 75...750 l/min; 60 Bar; only body without output
T0370355.A	2.1/2"BSP male; Range 100...1000 l/min; 60 Bar; only body without output
T0370365.A	3"BSP male; Range 150...1500 l/min; 60 Bar; only body without output
	Output electronic
303L4999.CHI	Square wave pulse sensor PNP-NPN 12-24Vdc (only for 1" model)
303L4999	Square wave pulse sensor PNP-NPN 12-24Vdc (for models from 1.1/4" to 3")
0037901C	LCD display 9V battery powered flow rate and totalizers (only for 1" turbine model)
00379016	LCD display 9V battery powered flow rate and totalizers (only for 1.1/4" to 3" models)