

PPS OVAL GEAR FLOW SENSOR Serie OG2-R TOTALIZER



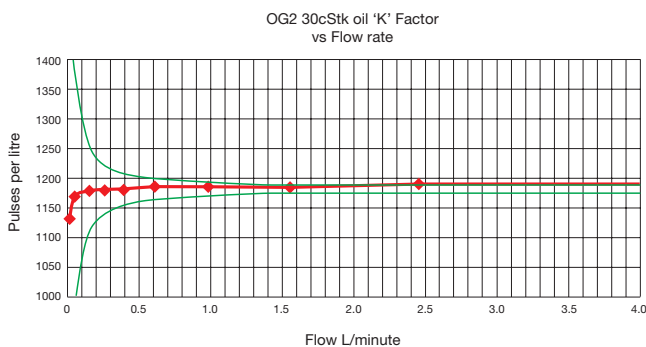
The OG2 oval gear totaliser is designed to give high performance with a low cost of ownership. It has a standard flow range from 0.1 to 4 L/min on 30 cSt oil or post mix syrup and 0.2 to 4 L/min on water like liquids. It can have totally non-metallic wetted components, PEEK™, ceramic and an elastomer which makes this the ideal choice for the metering of aggressive chemicals. The standard inlet and outlet are 1/2" John Guest push in sockets. For OEM use alternatives are available. The standard model has a PPS body, 316 St St spindles, PTFE coated magnets and silicon/Nitrile 'O' ring seals.

At the heart of the meter is a pair of toothed oval gears one of which contains chemically resistant PTFE coated magnets, the gears rotate freely on robust 316 stainless steel spindles. Rotation is detected through the chamber wall by a reed switch or Hall effect sensor, giving approximately 1100 pulses per litre passed. The display is a 6 digit totaliser with a litre symbol as standard, other units are available for OEM customers e.g. Kgs, gals, etc. The electronic housing cover is moulded in tough polycarbonate. This combination of materials and technology ensures a long life product with reliable, accurate operation throughout its estimated four year battery life.



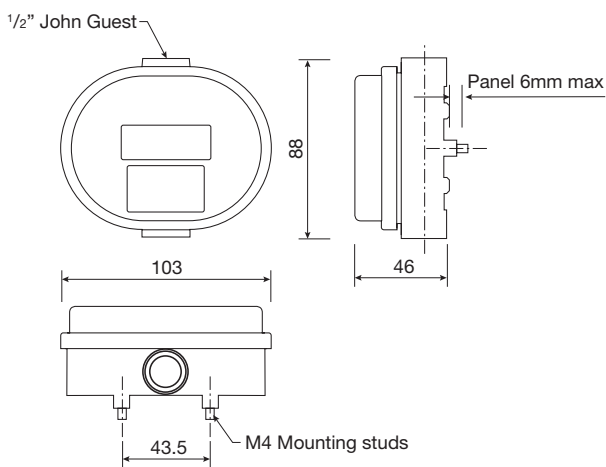
IDEAL FOR

- Post mix syrup
- Oil flow
- High viscosity fluids
- OEM equipment



FEATURES

- Excellent chemical resistance
- Low cost
- Individual calibration
- High viscosity capability
- Low pressure loss
- 1/2" John Guest fittings
- 4 year battery life
- 6 digit display with units
- Accuracy 2.0% FSD water
1.0% FSD oil (30 cSt)
- 0.2% repeatability
- IP67/NEMA 4 protection
- 10 Bar
- 316 St St spindles
- PEEK™ gears
- PPS body



Ordering codes

Model	OG2
Body material	R = PPS
Temp rating	S = 50°C / 122°F
Pressure rating	1 = 10 Bar 150 PSI
Seal Material	S = Silicon/Nitrile
Detector Type	H = Hall Effect R = Reed Switch
Pipe Thread	J = 1/2" John Guest
Electronics	T = Display B = Output only

e.g. **OG2-RS1-SRJ-T** is a PPS meter rated at 50°C, 10 Bar, with silicon seal, reed switch detector and John Guest fittings with total display.



TECHNICAL SPECIFICATIONS

Sample product codes ➔	OG2-RS1-SRJ-T
Flow range	– Water 0.2 - 4.0 L/min – 30 cSt Oil 0.1 - 4.0 L/min
Wetted parts	– Body PPS – Gears Carbon filled PEEK™ – Seal Silicon/Nitrile – Magnet PTFE coated
Accuracy	– Water ± 2.0% FSD – 30 cSt oil ± 1.0% FSD
Repeatability	± 0.2%
Detector Type	Reed switch
Terminations	1/2" John Guest socket
Approx 'K' factor	– Pulses/Litre 1100
Weight	0.285kg