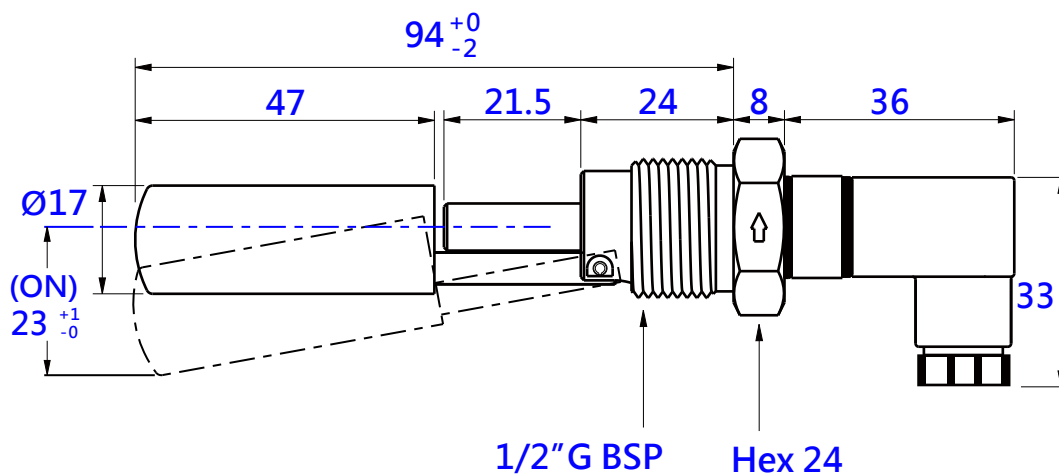


STAINLESS STEEL HORIZONTAL LEVEL SWITCH Serie IMSLS-3612



Dimensions



Mounting Style	External
Mounting thread stem	1/2" G BSP
Float	SUS304
Operation Temp.	$\varnothing 17 \times 47$, SUS316L
Max.Pressure	- 10°C ~ + 120°C
Float S.G.	10 Bar
Mini.Fluid S.G.	0.7
Contact Form	0.8
Switch Rating VA	N/O (N/C) , SPST
Switching Voltage Max.	50W
Switching Current Max.	300 Vac/350 Vdc
Carry Current Max.	DC 0.7A/AC 0.5A
Lead Wires	2.5A
	DIN43650 (EN175301-803) Connector (NEMA 4/IP65)