

HELICAL NYLON FLOWMETERS WITH DISPLAY Serie BR-D

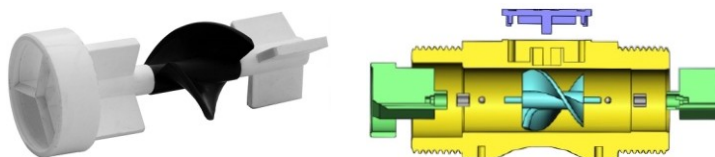
LCD DISPLAY



FEATURES

- LCD display indicator with two lines
- 3V battery powered about 1 year life in line
- 4 digits for instantaneous flow rate measurement m³/h or L/h
- 8 digits for cumulative flow totalizer (resetable) m³ or L
- 8 digits for cumulative flow totalizer non resetable m³ or L
- Reset button and Calibration button
- The cumulative flow automatically expand the display precision
- Cumulative flow and coefficient settings will be stored for 10 years when power off
- Version BR-DA with 4-20mA output needs 24Vdc power supply

HELICAL ROTATING SENSOR



The helical flow sensor is a special positive displacement system with a very favorable low pressure drop behavior, therefore perfectly suited for flow measurements for low and high viscosity liquids. The special developed mechanical helical sensing system provides wide measuring ranges, high accuracy and high resolution they are the excellent choice for water, laminating systems, painting systems, adhesive dispensing systems, as well as batching systems for various viscous liquids.

MATERIALS

Body: Nylon PA66 + 30% GF (Glass Fiber)
 Helical rotor: Nylon PA66
 Shaft: S.S. AISI316
 Ball: S.S. AISI304 with hard coating
 Support: POM

ELECTRICAL DATA

Power supply
 Battery 3Vdc or 24Vdc

Optional Output
 4-20mA (power supply 24Vdc)

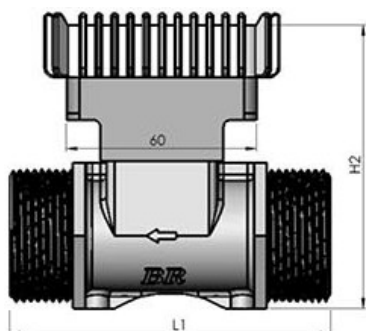
CALIBRATION

the flowmeter is always calibrated with water. When used with different liquids may be necessary re-calibrate the meter just adjusting the PPL (Pulses Per Liter) factor.
 ! Never use compress air to test the flowmeter !

| MODELS | Size BSP male | Range l/min | PPL approx | Accuracy wide range | Repeatability standard | Temperature range | Pressure max | Viscosity range |
|----------|---------------|-------------|------------|---------------------|------------------------|-------------------|--------------|----------------------------|
| BR-D-004 | 1/4" | 0.5 ÷ 6 | 3900 | ±1% | 0,1% | -20°...+80°C | 10 bar | 1 ÷ 106 mm ² /s |
| BR-D-008 | 1/2" | 2 ÷ 30 | 950 | ±1% | 0,1% | -20°...+80°C | 10 bar | 1 ÷ 106 mm ² /s |
| BR-D-012 | 3/4" | 8 ÷ 90 | 204 | ±1% | 0,1% | -20°...+80°C | 10 bar | 1 ÷ 106 mm ² /s |
| BR-D-020 | 1" | 15 ÷ 150 | 84 | ±1% | 0,1% | -20°...+80°C | 10 bar | 1 ÷ 106 mm ² /s |
| BR-D-025 | 1.1/4" | 18 ÷ 180 | 49 | ±1% | 0,1% | -20°...+80°C | 10 bar | 1 ÷ 106 mm ² /s |

It is possible to use the flowmeters with lower flow rates by adjusting and recalibrating the PPLs

DIMENSIONS



| Models | L1 | H2 | Weight | Thread |
|----------|-------|------|---------|-----------|
| BR-D-004 | 60 | 68.5 | 0.13 Kg | 1/4"BSP |
| BR-D-008 | 70 | 74 | 0.14 Kg | 1/2"BSP |
| BR-D-012 | 87 | 79 | 0.16 Kg | 3/4"BSP |
| BR-D-020 | 95 | 84.5 | 0.18 Kg | 1"BSP |
| BR-D-025 | 101.3 | 91 | 0.23 Kg | 1.1/4"BSP |